

**PLEASE CHECK WWW.MOLEX.COM FOR LATEST PART INFORMATION**

**Part Number:** [0905841322](#)  
**Status:** **Active**  
**Description:** 1.27mm (.050") Pitch Picoflex® PF-50 IDT Receptacle, Low Profile, Board-In, 22 Circuits

**Documents:**

[3D Model](#) [Product Specification PS-99020-0011 \(PDF\)](#)  
[Drawing \(PDF\)](#) [RoHS Certificate of Compliance \(PDF\)](#)  
[Product Specification ES-99033-0002 \(PDF\)](#)

**General**

Product Family	Ribbon Cable / Wire Trap Connectors
Series	90584
Comments	Low Profile
Component Type	One Piece
Glow-Wire Compliant	No
Product Name	Board-In, Picoflex®

**Physical**

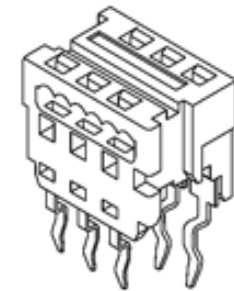
Circuits (Loaded)	22
Color - Resin	Natural
Durability (mating cycles max)	30
Entry Angle	90° Angle
Lock to Mating Part	None
Material - Metal	Phosphor Bronze
Material - Plating Mating	Tin
Material - Plating Termination	Tin
Material - Resin	Polyester
Number of Rows	2
PCB Locator	No
PCB Retention	Yes
PCB Thickness Recommended (in)	0.062 In
PCB Thickness Recommended (mm)	1.60 mm
Packaging Type	Tube
Pitch - Mating Interface (in)	0.050 In
Pitch - Mating Interface (mm)	1.27 mm
Plating min: Mating (µin)	80.00
Plating min: Mating (µm)	2.00
Plating min: Termination (µin)	80.00
Plating min: Termination (µm)	2.00
Polarized to Mating Part	N/A
Polarized to PCB	Yes
Stackable	No
Surface Mount Compatible (SMC)	No
Temperature Range - Operating	-40°C to +105°C
Termination Interface: Style	Through Hole - Kinked Pin
Wire Insulation Diameter	1.00mm (.039") max.
Wire Size AWG	26, 28
Wire/Cable Type	Ribbon Cable

**Electrical**

Current - Maximum per Contact	1.2A
Voltage - Maximum	250V

**Material Info**

**Reference - Drawing Numbers**



Series

image - Reference only

**EU RoHS**

**ELV and RoHS Compliant**

**REACH SVHC**

**Contains SVHC: No Halogen-Free**

**Status**

**Not Reviewed**

**China RoHS**



**Need more information on product environmental compliance?**

Email [productcompliance@molex.com](mailto:productcompliance@molex.com)  
 For a multiple part number RoHS Certificate of Compliance, [click here](#)

Please visit the [Contact Us](#) section for any non-product compliance questions.

**Search Parts in this Series**

90584Series

**Mates With**

N/A

**Application Tooling | FAQ**

*Tooling specifications and manuals are found by selecting the products below. Crimp Height Specifications are then contained in the Application Tooling Specification document.*

**Global**

Description	Product #
Handtool for 90327, 90584 and 91577 Picoflex® Connectors, 4-26 Circuit	<a href="#">0690081090</a>
Arbor Press Fixture for 91577 Picoflex® Connectors	<a href="#">0690201908</a>
Semi-Automatic Bench Press PB16	<a href="#">0691271010</a>

Product Specification  
Sales Drawing

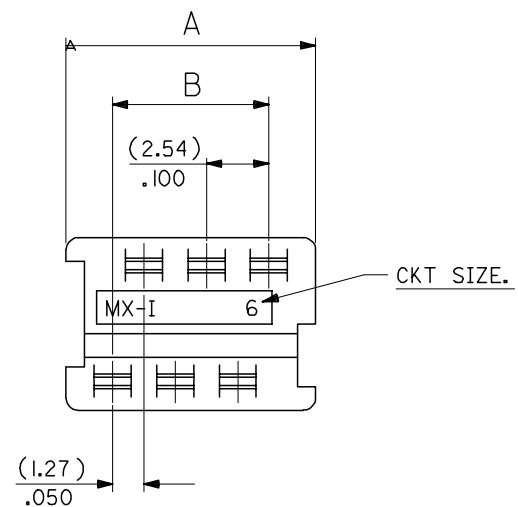
ES-99033-0002, PS-99020-0011  
SDA-90584

with Auto De-  
tubing for 90854  
Connectors  
Arbor Press Fixture 0690201902

This document was generated on 03/16/2010

**PLEASE CHECK [WWW.MOLEX.COM](http://WWW.MOLEX.COM) FOR LATEST PART INFORMATION**

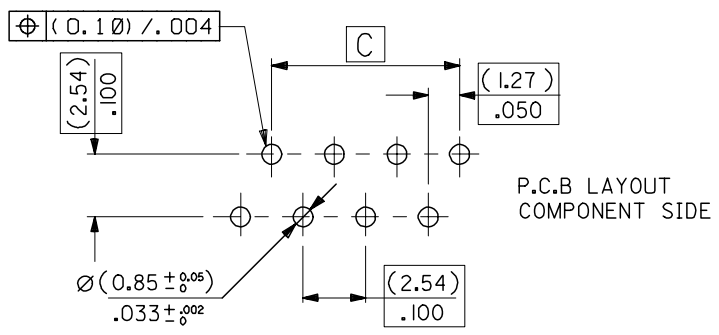
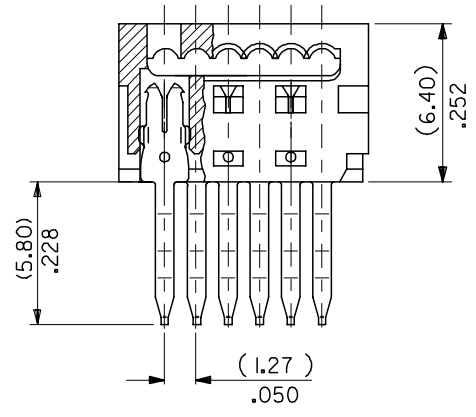
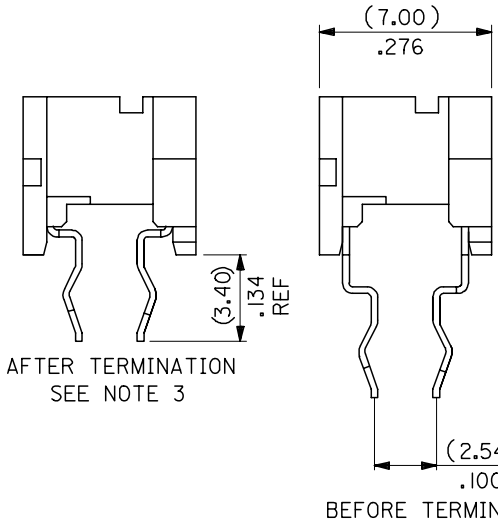
90584	***26	26	(35.53)/1.399	(31.75)/1.250	(30.48)/1.200	14	98	7
	***24	24	(32.99)/1.299	(29.21)/1.150	(27.94)/1.100	15	105	
	***22	22	(30.45)/1.199	(26.67)/1.050	(25.40)/1.000	16	112	
	***20	20	(27.91)/1.099	(24.13)/.950	(22.86)/.900	18	126	
	***18	18	(25.37)/.999	(21.59)/.850	(20.32)/.800	20	140	
	***16	16	(22.83)/.899	(19.05)/.750	(17.78)/.700	23	161	
	***14	14	(20.29)/.799	(16.51)/.650	(15.24)/.600	26	182	
	***12	12	(17.75)/.699	(13.97)/.550	(12.70)/.500	30	210	
	***10	10	(15.21)/.599	(11.43)/.450	(10.16)/.400	34	238	
	***08	8	(12.67)/.499	(8.89)/.350	(7.62)/.300	42	294	
	***06	6	(10.13)/.399	(6.35)/.250	(5.08)/.200	54	378	
90584	***04	4	(7.59)/.299	(3.81)/.150	(2.54)/.100	70	490	7
PART NO.	CCT SIZE	DIMENSION A	DIMENSION B	DIMENSION C	TUBE QTY	STACK QTY	TUBES PER STACK	



**HOUSING**  
MATL. POLYESTER, RATED UL 94V-0, COLOUR WHITE.

**IDT CONTACT**  
MATL : PHOSPHOR BRONZE (0.28)/.011 REF THICK.  
PLATING : (2-4um) / 80-160u" TIN

- NOTES:**
1. APPL. CLASS TO DIN 40040 HME (-25°C/+100°C)
  2. SEE PRODUCT SPECIFICATION PS-99020-0011
  3. WIRE TERMINATION SPEC : ES-99033-0002
- 90584- \* \* \* \*  
04 TO 26 = CKT SIZE.  
3= NO CIRCUITS VOIDED.  
4= CIRCUITS 4 & 5 VOIDED.  
1= INDIVIDUAL TUBED ASSY  
2= STACKED TUBED ASSY - SEE SHEET 2  
9= NON STANDARD OPTION - SEE SHEET 3



ADD VOIDED OPTION EC NO: E2005-1077 DRAWN: GMSWEEEN 2005/05/10 CHKD: DMORLARTY 2005/05/10 APPR: J DENNEY 2005/05/26	QUALITY SYMBOLS ▽=0 ▽=0	GENERAL TOLERANCES (UNLESS SPECIFIED)		DIMENSION STYLE MM/IN	SCALE 5:1	DESIGN UNITS METRIC	THIRD ANGLE PROJECTION
		4 PLACES ± --- ± ---	3 PLACES ± --- ± ---	2 PLACES ± 0.10 ± ---	1 PLACE ± 0.20 ± ---	ANGULAR ± 1/2°	DRAWN BY DMCNAMAR 2003/09/01
M	REV	DRAFT WHERE APPLICABLE MUST REMAIN WITHIN DIMENSIONS		SEE CHART	APPROVED BY MWILHITE 2003/09/01	DATE 2003/09/01	MOLEX INCORPORATED
		SIZE A3	THIS DRAWING CONTAINS INFORMATION THAT IS PROPRIETARY TO MOLEX INCORPORATED AND SHOULD NOT BE USED WITHOUT WRITTEN PERMISSION		MATERIAL NO.	DOCUMENT NO. SDA-90584	SHEET NO. 1 OF 3

10 9 8 7 6 5 4 3 2 1

F F

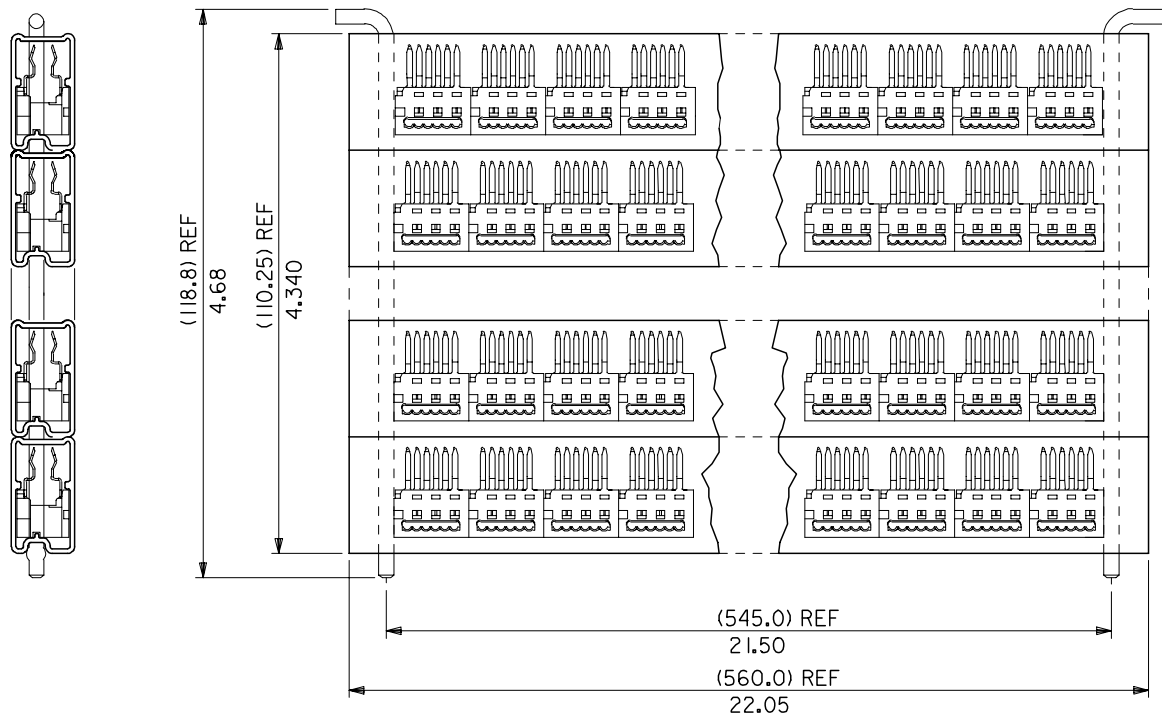
E E

D D

C C

B B

A A



STACKED TUBED ASSEMBLY

<b>REVISION UPDATE</b> EC NO: E2005-1027 DRAWN:GMSWEEN 2005/05/10 CHKD:DMORIARTY 2005/05/10 APPR: JDENNEHY 2005/05/26	QUALITY SYMBOLS ▽=0 ▽=0	GENERAL TOLERANCES (UNLESS SPECIFIED)		DIMENSION STYLE	SCALE	DESIGN UNITS	THIRD ANGLE PROJECTION	
				MM/IN	NTS	METRIC		
				mm	INCH	DRAWN BY	DATE	TITLE
		4 PLACES	± ---	± ---	± ---	PW	1994/02/25	1.27MM PF LOW PRO IDT BOARD-IN CONNECTOR
3 PLACES	± ---	± .010		CHECKED BY	DATE			
2 PLACES	± 0.25	± ---		DMORIARTY	2005/05/06			
1 PLACE	± ---	± ---		APPROVED BY	DATE			
	ANGULAR ± 2 °			JDENNEHY	2005/05/10	MOLEX INCORPORATED		
				MATERIAL NO.		DOCUMENT NO.	SHEET NO.	
				SEE SHEET 1		SDA-90584	2 OF 3	
				DRAFT WHERE APPLICABLE MUST REMAIN WITHIN DIMENSIONS				
				THIS DRAWING CONTAINS INFORMATION THAT IS PROPRIETARY TO MOLEX INCORPORATED AND SHOULD NOT BE USED WITHOUT WRITTEN PERMISSION				

9 8 7 6 5 4 3 2 1